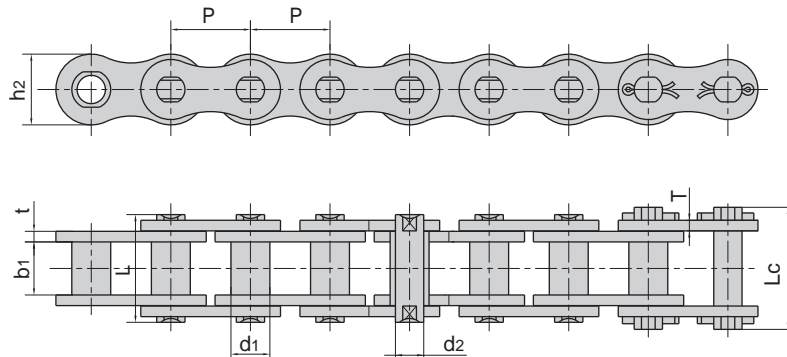


# 套筒链 Bush chains



东华链号 Donghua Chain No.	节距 Pitch	套筒直径 Bush diameter	内节内宽 Width between inner plates	销轴直径 Pin diameter	销轴长度 Pin length		链板高度 Plate depth	链板厚度 Plate thickness	抗拉强度 Tensile strength	平均抗拉强度 Average tensile strength	每米长重 Weight per meter
	P	d1 max	b1 min	d2 max	L max	Lc max	h2 max	T max	Q min	Q0	q
	mm	mm	mm	mm	mm	mm	mm	mm	kN/lbf	kN	kg/m
P15F1-B	15.000	9.00	14.0	6.0	25.3	30.0	14.0	2.03	12.5/2852.5	13.75	1.150
P20-B	20.000	12.00	16.0	8.0	33.0	36.0	18.0	3.00	25.0/5624	27.50	2.140
P20F3-B	20.000	12.00	16.0	8.0	33.0	36.0	19.0	3.00	25.0/5624	27.50	2.030
*PZ20-B	20.000	12.00	16.0	8.0	33.0	34.7	18.0	3.00	25.0/5624	27.50	2.253
P25-B	25.000	15.00	18.0	10.0	35.0	39.0	24.0	3.00	31.5/7086	34.70	3.170
P25F1-B	25.000	15.00	18.0	10.0	35.0	39.0	24.0	3.00	31.5/7086	34.70	2.670
P30F2-B	30.000	17.00	20.0	11.0	41.0	45.4	28.0	4.00	40.0/8998	44.00	4.250
P30F6-B	30.000	17.00	20.0	11.0	42.4	46.0	28.0	4.00	40.0/8998	44.00	3.750
P35F2-B	35.000	18.00	22.0	12.0	44.5	48.0	30.0	4.00	50.0/11248	55.00	4.330
P35F5-B	35.000	18.00	22.0	12.0	44.5	48.0	30.0	4.00	50.0/11248	55.00	3.770
P36-B	36.000	18.00	22.0	12.5	44.5	49.0	30.0	4.00	60.0/13497	66.00	4.200
P40-B	40.000	20.00	25.0	14.0	52.4	57.0	35.0	5.00	63.0/14172	69.30	5.430
P45-B	45.000	22.00	30.0	16.0	62.0	66.5	40.0	6.00	80.0/17996	88.00	7.540
P50-B	50.000	26.00	35.0	18.0	68.0	73.5	44.0	6.00	100.0/22495	110.00	8.900
P55-B	55.000	30.00	45.0	20.0	88.0	93.5	49.0	8.00	125.0/28119	137.50	13.920
P55F1-B	55.000	30.00	45.0	20.0	88.0	110.0	49.0	8.00	125.0/28119	137.50	13.920
P55F4-B	55.000	28.00	45.0	20.0	88.0	93.5	43.0	8.00	125.0/28100	137.50	12.400
P60-B	60.000	32.00	50.0	22.0	94.1	99.5	55.0	8.00	160.0/35993	176.00	15.200
P65-B	65.000	36.00	56.0	26.0	97.5	113.0	61.0	8.00	200.0/44960	220.00	18.900
P70-B	70.000	30.00	65.0	30.0	117.0	130.0	67.0	10.00	250.0/57050	275.00	26.270
P80-B	80.000	44.00	70.0	32.0	131.0	150.0	75.0	12.00	315.0/71883	346.00	31.800
P19.05	19.050	12.70	12.5	7.5	31.6	33.6	20.0	4.15/3.25	50.0/11248	55.00	2.560
P19.05F50-B	19.050	11.91	12.9	7.5	31.6	34.8	20.0	4.15/3.25	40.0/8992	44.00	2.530
P22.225F10-B	22.225	14.30	14.6	9.0	36.3	39.3	23.5	4.80/4.00	55.0/12364	60.50	3.580
P22.225F3-B	22.225	15.60	14.6	9.0	36.3	38.0	23.5	4.80/4.00	75.0/16860	82.50	3.750
P25.4F21-B	25.400	15.88	16.0	10.0	42.5	-	26.8	5.60/4.80	80.0/17984	88.00	4.700
P31.75F5-B	31.750	19.05	20.0	11.1	46.0	50.0	33.5	5.60/4.80	100.0/22480	110.00	5.980
*P42.27F1-B	42.270	13.00	22.9	7.92	41.0	45.8	24.0	3.20	42.3/9509	46.50	2.360
*P50.8F7	50.800	18.50	25.0	14.5	53.5	57.5	40.0	5.00	120.0/26994	132.00	6.300

\*直链板  
\*Straight side plates